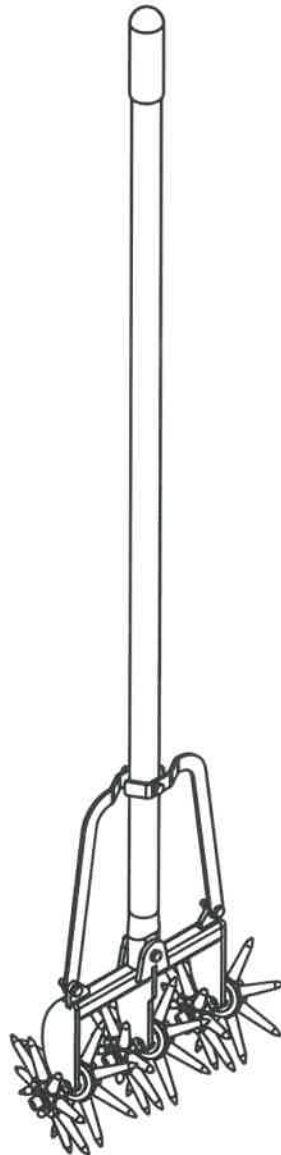


sisis®

FERRET INSTRUCTION MANUAL



SISIS, Ashbourne Road, Kirk Langley, Derbyshire, DE6 4NJ, England.
Tel: +44 (0) 1332 824 777 | Fax: +44 (0) 1332 824 525 | Email: info@sisis.com | www.sisis.com

A division of Howardson Ltd. - a proudly British company
Company reg no 641526 - Vat No GB 345 9918 12

SP20012_REV_0
03/12



NOTE

MAKE A NOTE OF THE SERIAL NUMBERS OF YOUR MACHINE & ENGINE AND ALWAYS QUOTE THEM IN ANY COMMUNICATION WITH PERSONNEL AT DENNIS.

MACHINE SERIAL NUMBER

Introduction

The **SISIS Ferret** is virtually maintenance-free, and tines can be replaced should they become worn.

It is advisable to read the instructions carefully. Proper care and attention will enable the machine to give a continuous, satisfactory, and reliable service.

In the case of any difficulty, or if further information or advice is required, our Service Department is always at your call. In the interests of speed and accuracy of information please quote the serial number of the machine when making enquiries.

Contents

	Page
Serial Numbers.....	2
Introduction.....	2
Operating Instructions	2
Parts Listings.....	3

Operating Instructions



CAUTION

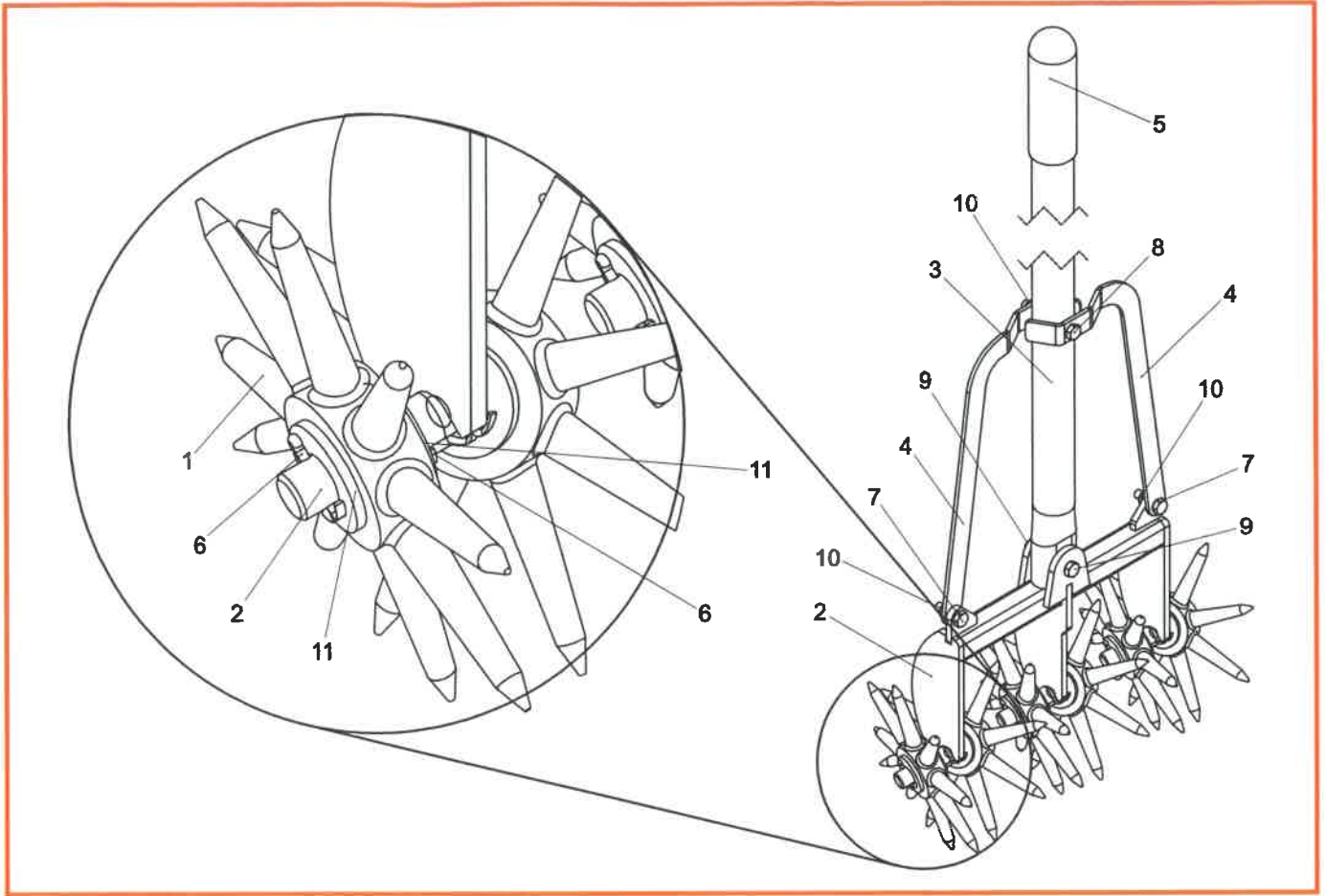
PLEASE READ THESE OPERATING INSTRUCTIONS CAREFULLY BEFORE COMMENCING WORK.

We want you to obtain the best performance from this machine. If you have any difficulty in carrying out the following instructions please contact SISIS direct or your local SISIS Territory Manager or SISIS Dealer.

OPERATING PRINCIPAL

The SISIS Ferret has spiked, revolving cast tine wheels which are interpitched. When pushed in one direction the tines create holes for seeding or to improve absorption from artificial watering. Working in the other direction, the tines create a tilth.

This useful and effective hand tool is ideal for small localised areas where on-going repairs are essential throughout the year.



1.01

Ferret

Item No.	Part No.	Description	Quantity
1	F34464	8 Pointed Tine	6
2	F34945	Tine Bar Assy	1
3	F34982	Handle Assy	1
4	F34983	Brace	2
5	F35283	Handle Grip	1
6	J20406	Split Pin 3/32" x 1"	12
7	SP01028	Hex Set Screw M6 x 20	2
8	SP01107	Hex Set Screw M6 x 45	1
9	SP01112	Hex Set Screw M6 x 40	1
10	SP02004	Nut M6 Nyloc	4
11	SP03017	Washer M12 Form C	12

sisis®

SISIS, Ashbourne Road, Kirk Langley, Derbyshire, DE6 4NJ, England.

Tel: +44 (0) 1332 824 777 | Fax: +44 (0) 1332 824 525 | Email: info@sisis.com | www.sisis.com

A division of Howardson Ltd. - a proudly British company
Company reg no 641526 - Vat No GB 345 9918 12